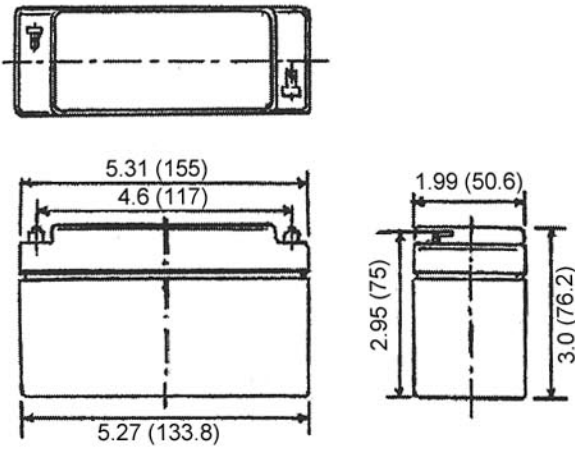


NP 5-6

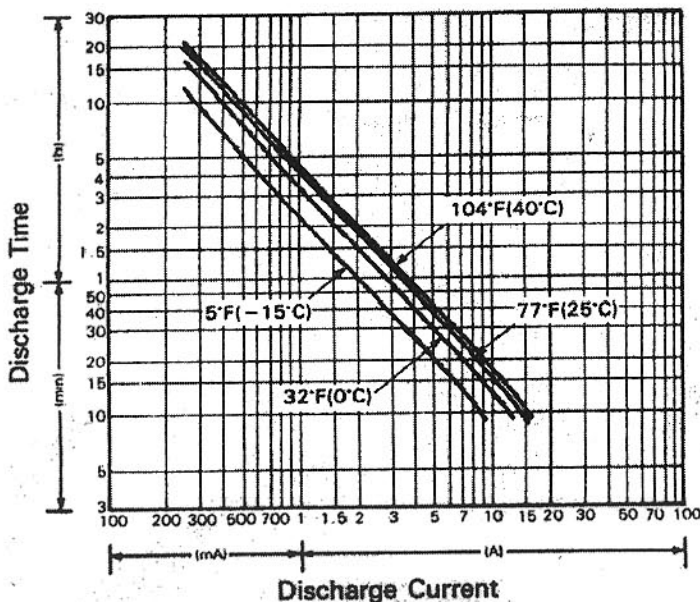


Unit: inch (mm)



*The below data are average values, and can be obtained within 3 charge/discharge cycles. These are not minimum values.

Discharging Current & Discharge Duration*



Specifications

Normal Voltage:	6 V	
Rated Capacity(20hr rate):	5.0 Ah	
Weight:	Approx. 2.6 lbs (1176g)	
Dimensions:	total height (with terminals)	2.95" (75mm)
	height	3.0" (76.2mm)
	length	5.31" (135mm)
	width	1.99" (50.6mm)

Characteristics

Capacity*: 77°F (25°C)	20hr rate (250 mA)	5.0 Ah
	10hr rate (470 mA)	4.7 Ah
	5hr rate (860 mA)	4.3 Ah
	1hr rate (3400 mA)	3.2 Ah
	1.5hr discharge to 5.25V	2.4 A
Internal Resistance:	full charged battery 77°F (25°C)	20 mΩ
Capacity affected by temp.: (20hr rate)	104°F (40°C)	102%
	77°F (25°C)	100%
	32°F (0°C)	85%
	5°F (-15°C)	65%
Self-Discharge 77°F (25°C)	capacity after 3 month storage	91%
	capacity after 6 month storage	82%
	capacity after 12 month storage	64%
Charge (constant voltage):	cycle	initial charging current less than 2.0 A voltage 7.25~7.45 V/6V 77°F (25°C)
	stand-by	voltage 6.8~6.9 V/6V 77°F (25°C)

Discharge curves 77°F (25°C)*

